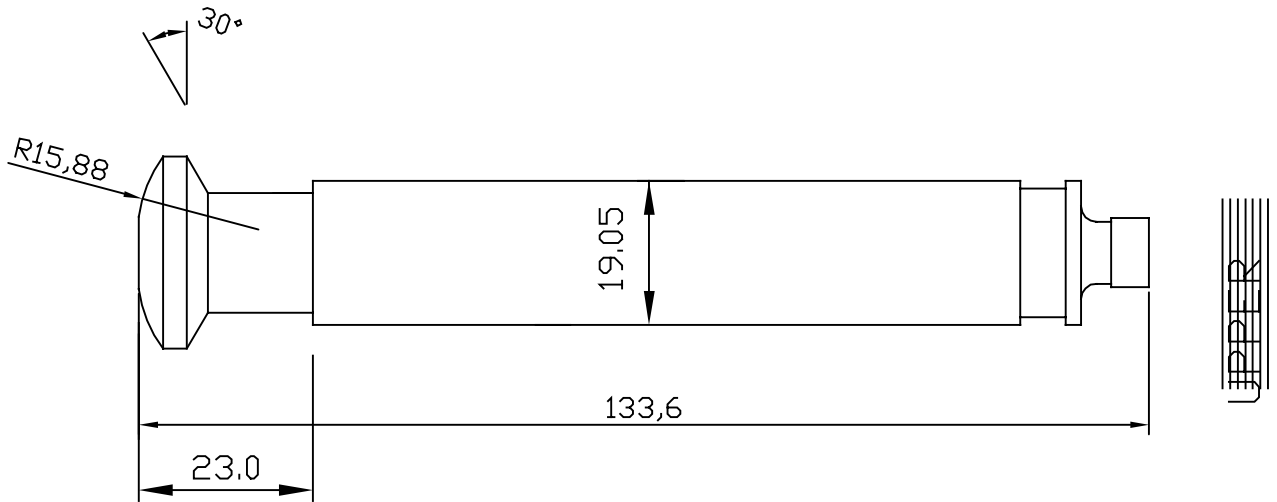
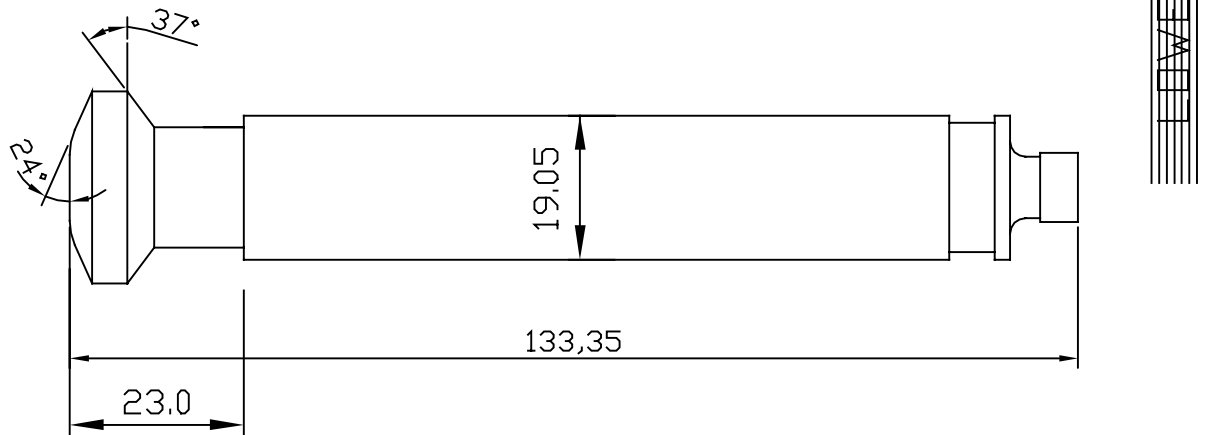


# 'EURO B' TOOLING



# 'IPT B' TOOLING



ALL DIMENSIONS IN MM.

|                           |                  |                                     |
|---------------------------|------------------|-------------------------------------|
| FOR<br>EURO / IPT TOOLING |                  |                                     |
| PRODUCT<br>B TOOLING      | TABLET<br>WEIGHT |                                     |
| DRAWING<br>B-EURO-IPT     | FILM<br>COATED   | <input checked="" type="checkbox"/> |
| DATE:<br>16/12/04         | DRN BY:<br>AMIT  | UPPER<br>TEXT                       |
| SCALE:<br>NTS             | CHK BY:          | LOWER<br>TEXT                       |
|                           |                  | REF.<br>SAMPLE                      |

ACTUAL SIZE



55, UNIQUE IND. EST.  
Dr. R. P. ROAD,  
MULUND [WEST],  
MUMBAI-400063,INDIA

PH: 26858479/8491  
FAX: 91-22-26855108

Info@adeptexport.com  
www.adeptexport.com